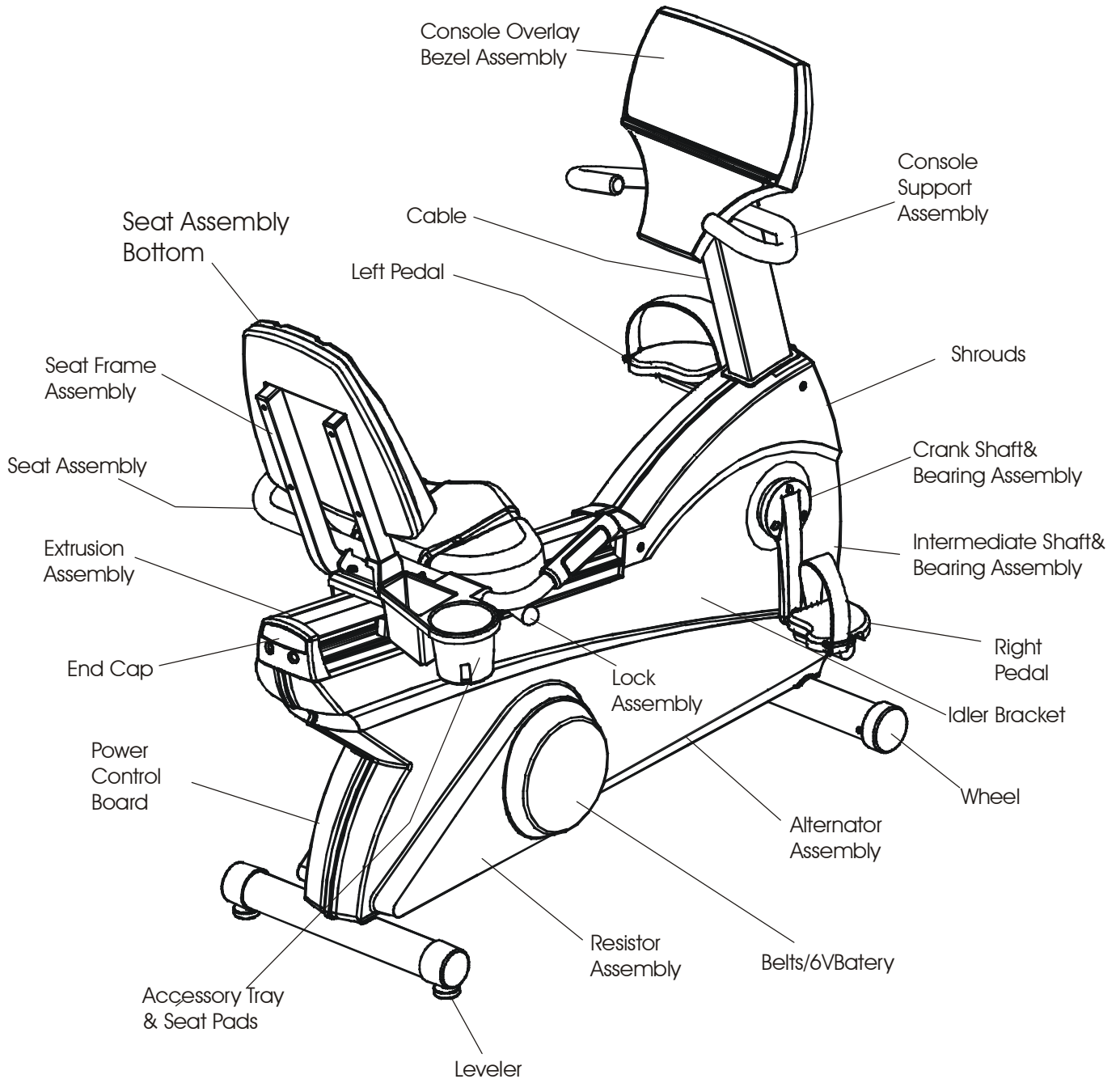


LifeCycle Recumbent Bike - Model LC85R-0100-28 S/N CEH100001

Unit Assembly

END OF LIFE



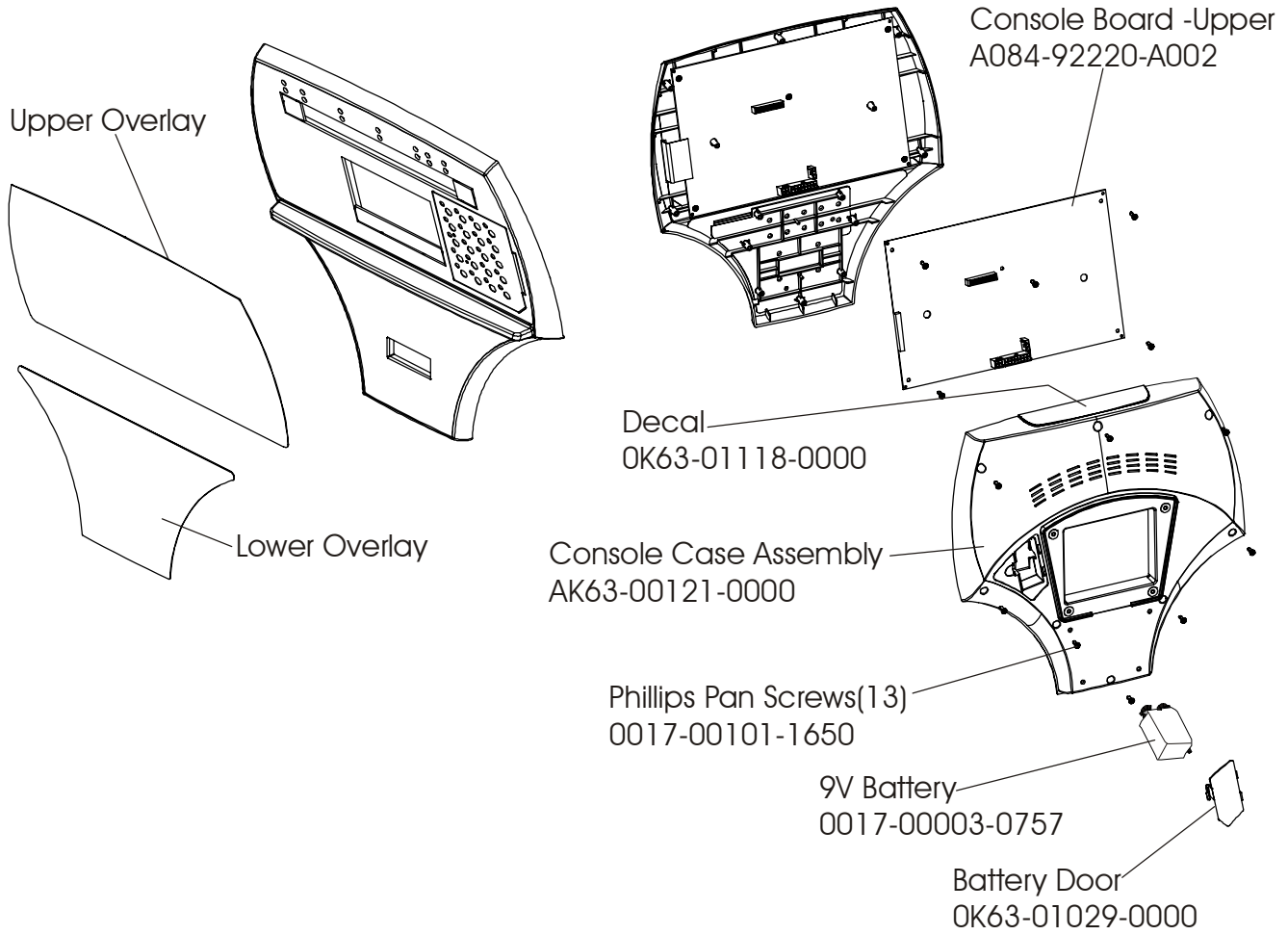
Operation Manual	M051-00K20-A347
Service Manual	M051-00K39-A012

NOTE: Optional Polar Accessory Kit, GK39-00002-0001.

11 May 2007

LifeCycle Recumbent Bike - Model LC85R-0100-28 S/N CEH100001

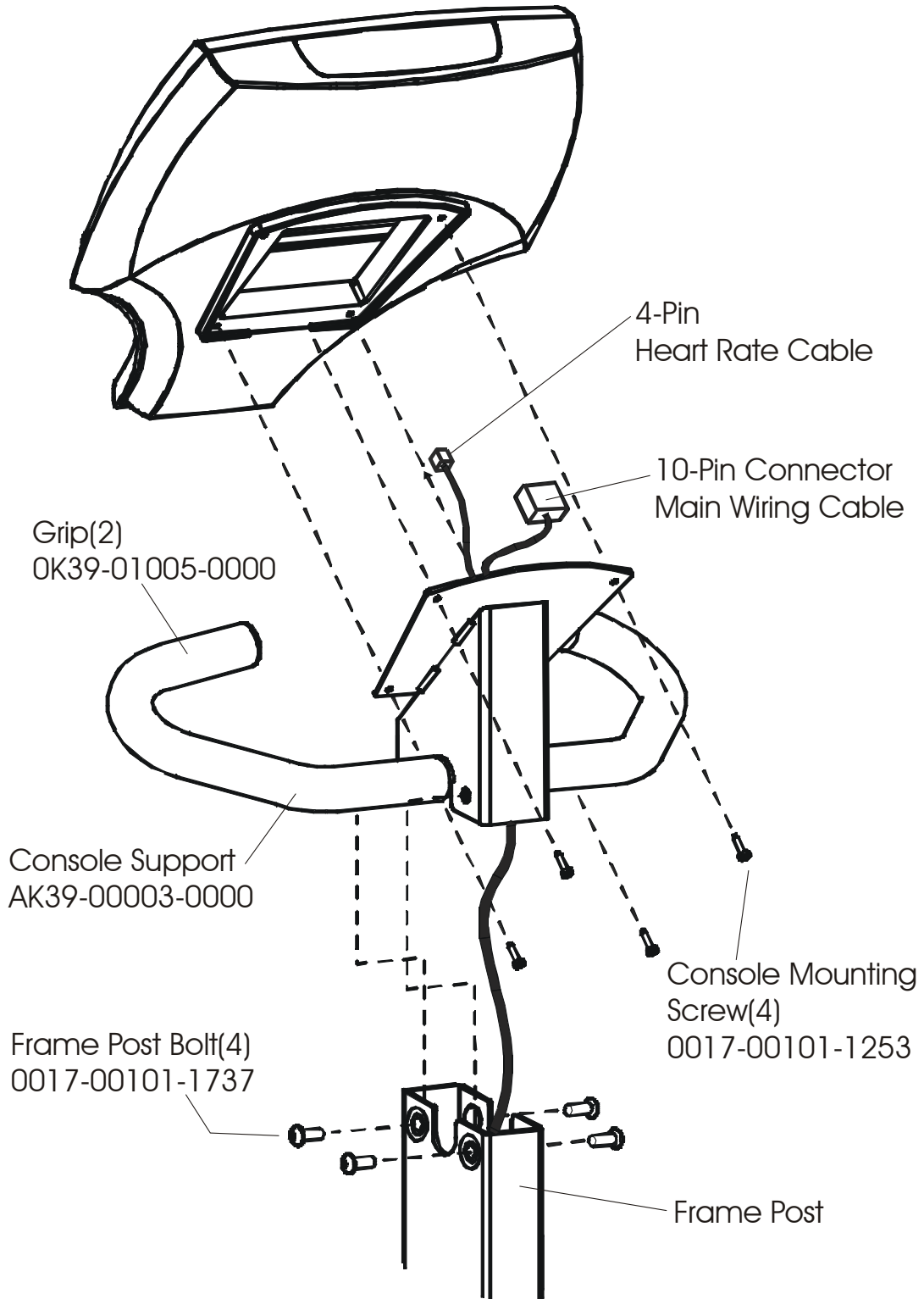
Console Overlay Bezel Assembly



LC8500 Recumbent	
Console Assembly	Overlay Bezel
AK63-00072-0001 Eng Met	AK63-00080-0001 Eng Met
AK63-00072-0003 Ger Met	AK63-00080-0003 Ger Met
AK63-00072-0004 Spn Met	AK63-00080-0004 Spn Met
AK63-00072-0006 Jap Met	AK63-00080-0006 Jap Met
AK63-00072-0007 Frn Met	AK63-00080-0007 Frn Met
AK63-00072-0008 Itl Met	AK63-00080-0008 Itl Met
AK63-00072-0009 Itl Met	AK63-00080-0009 Itl Met
AK63-00072-0010 Por Met	AK63-00080-0010 Por Met

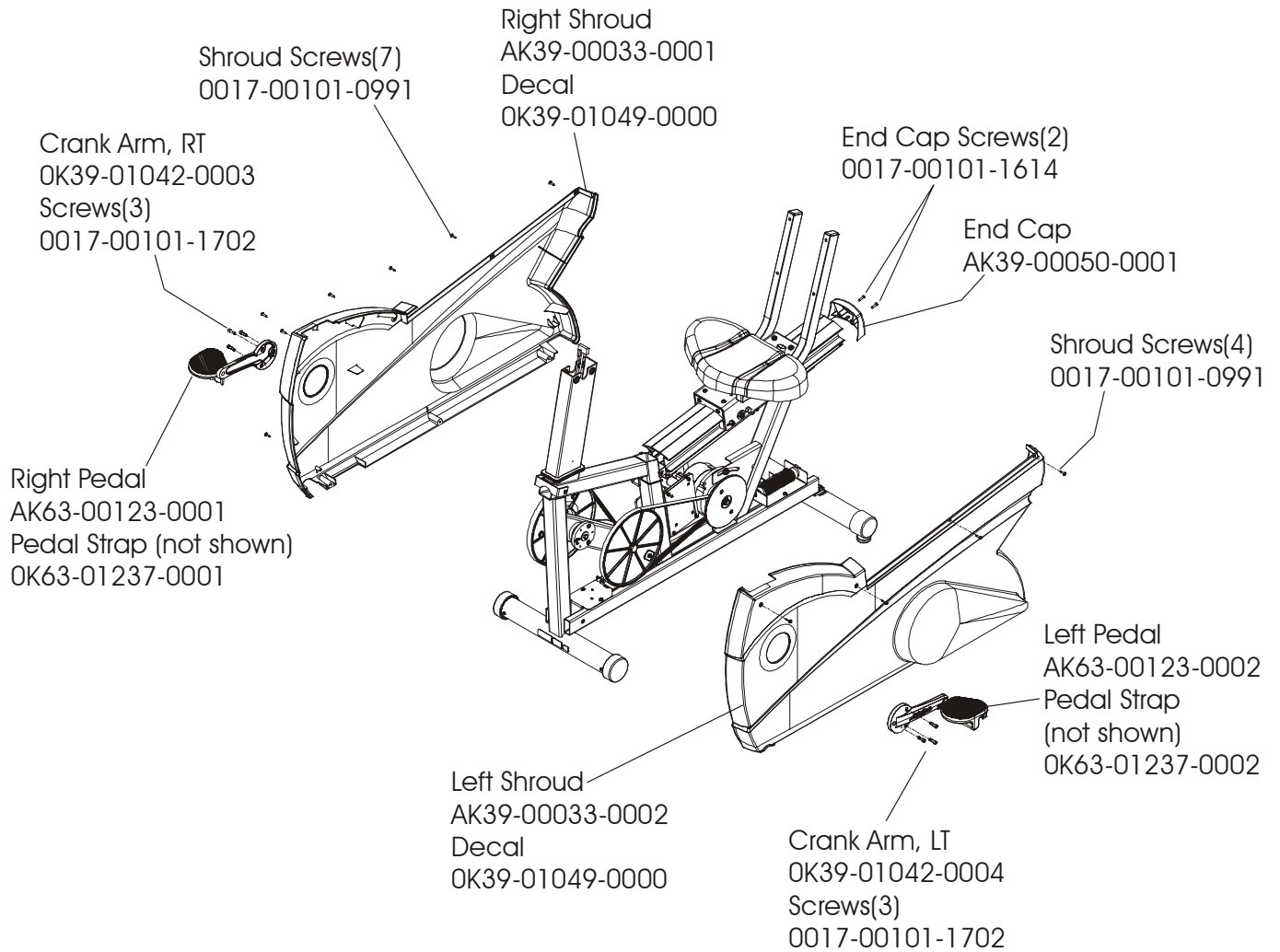
LifeCycle Recumbent Bike - Model LC85R-0100-28 S/N CEH100001

Console Support Assembly



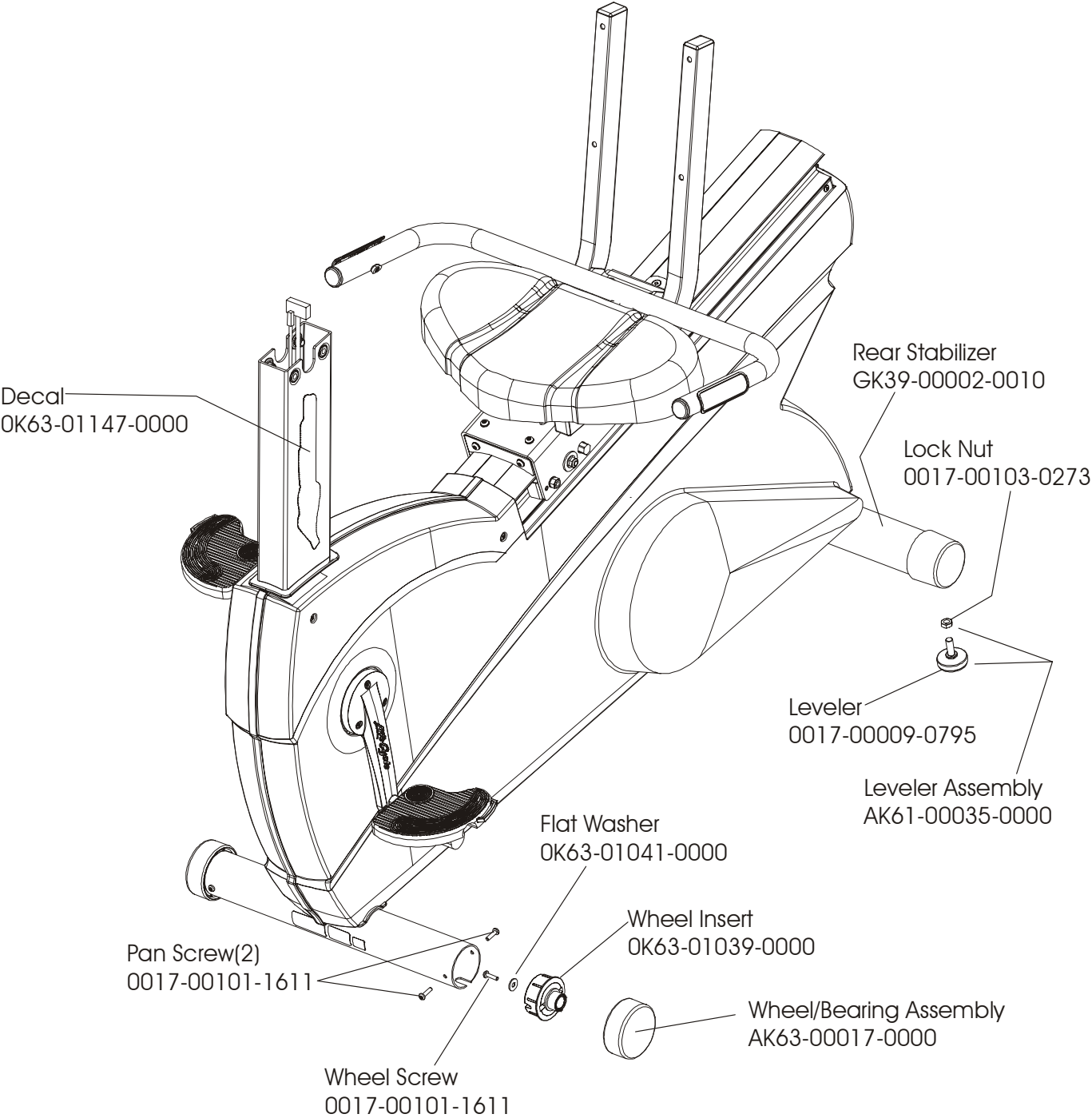
LifeCycle Recumbent Bike - Model LC85R-0100-28 S/N CEH100001

Shrouds, End Cap, and Pedals



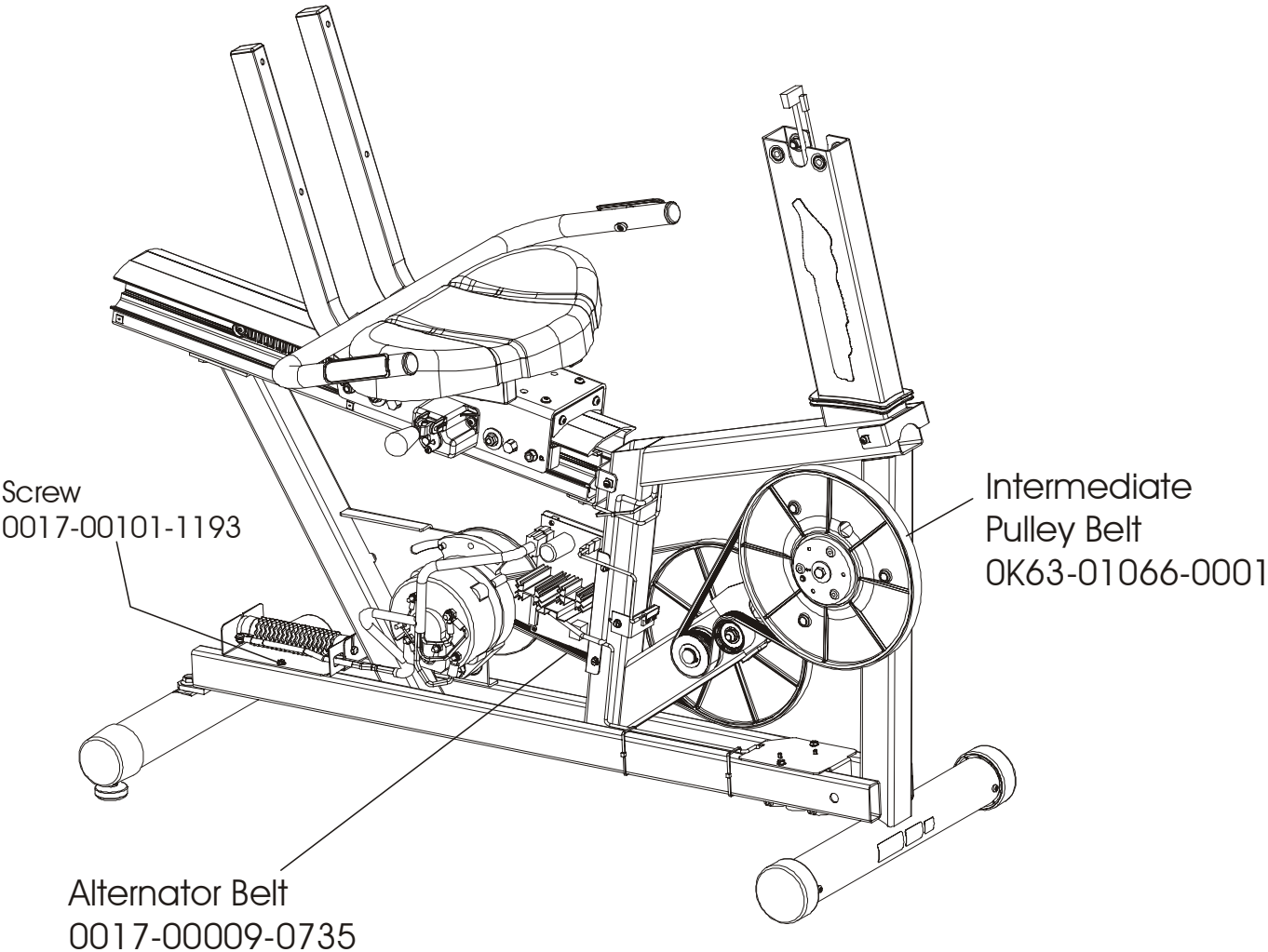
LifeCycle Recumbent Bike - Model LC85R-0100-28 S/N CEH100001

Wheel and Leveler



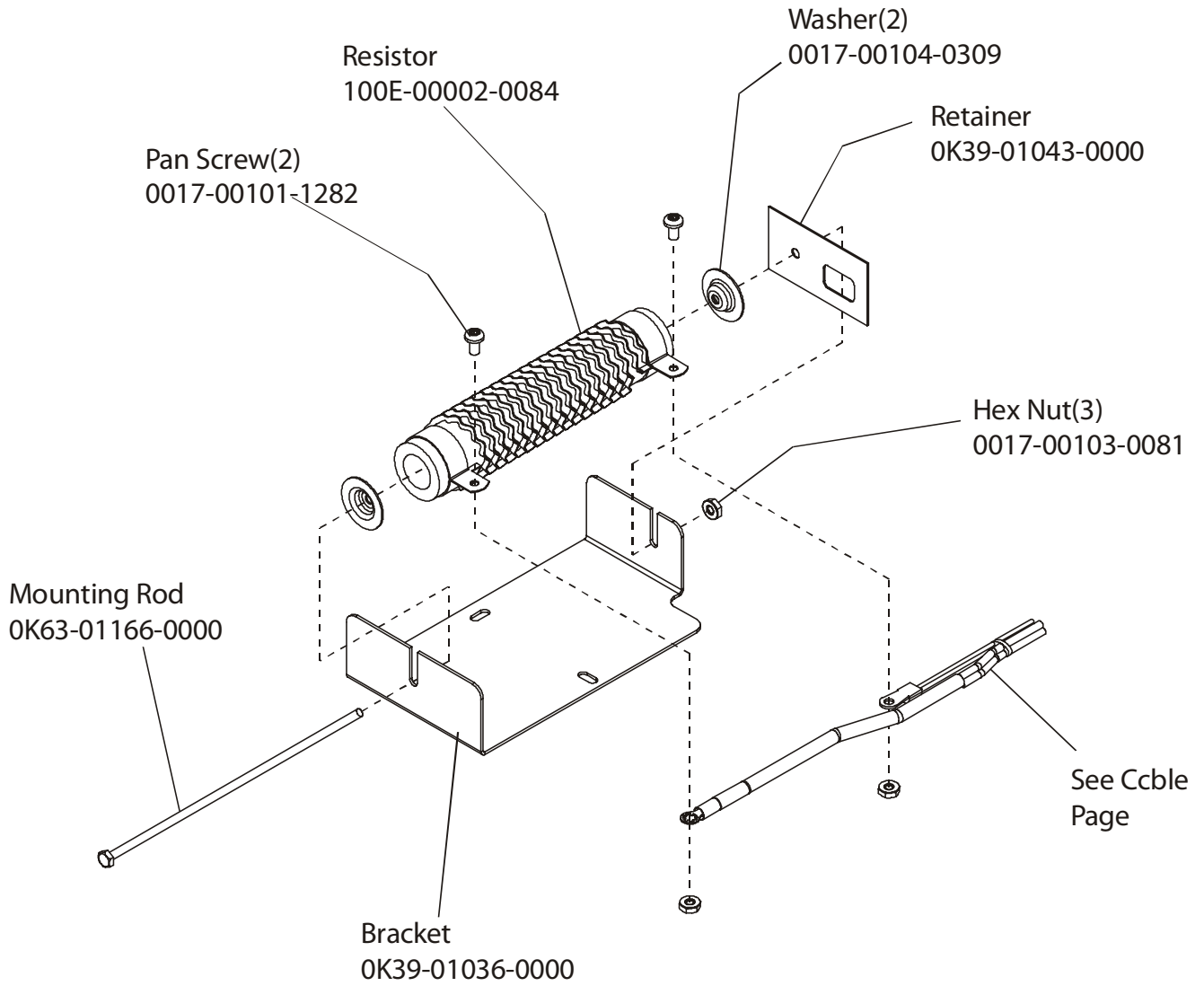
LifeCycle Recumbent Bike - Model LC85R-0100-28 S/N CEH100001

Belts and 6V Battery



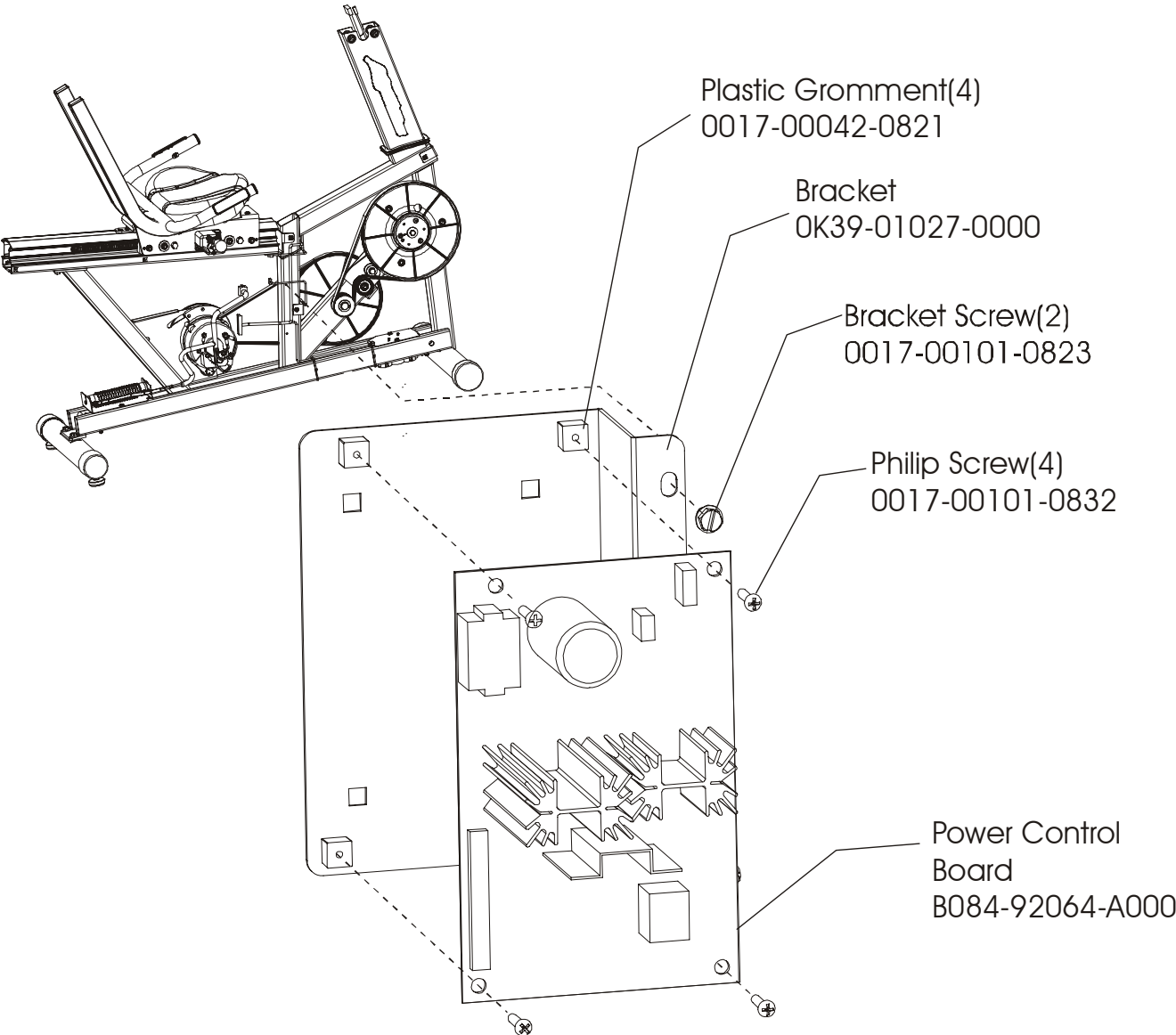
LifeCycle Recumbent Bike - Model LC85R-0100-28 S/N CEH100001

Resistor Assembly



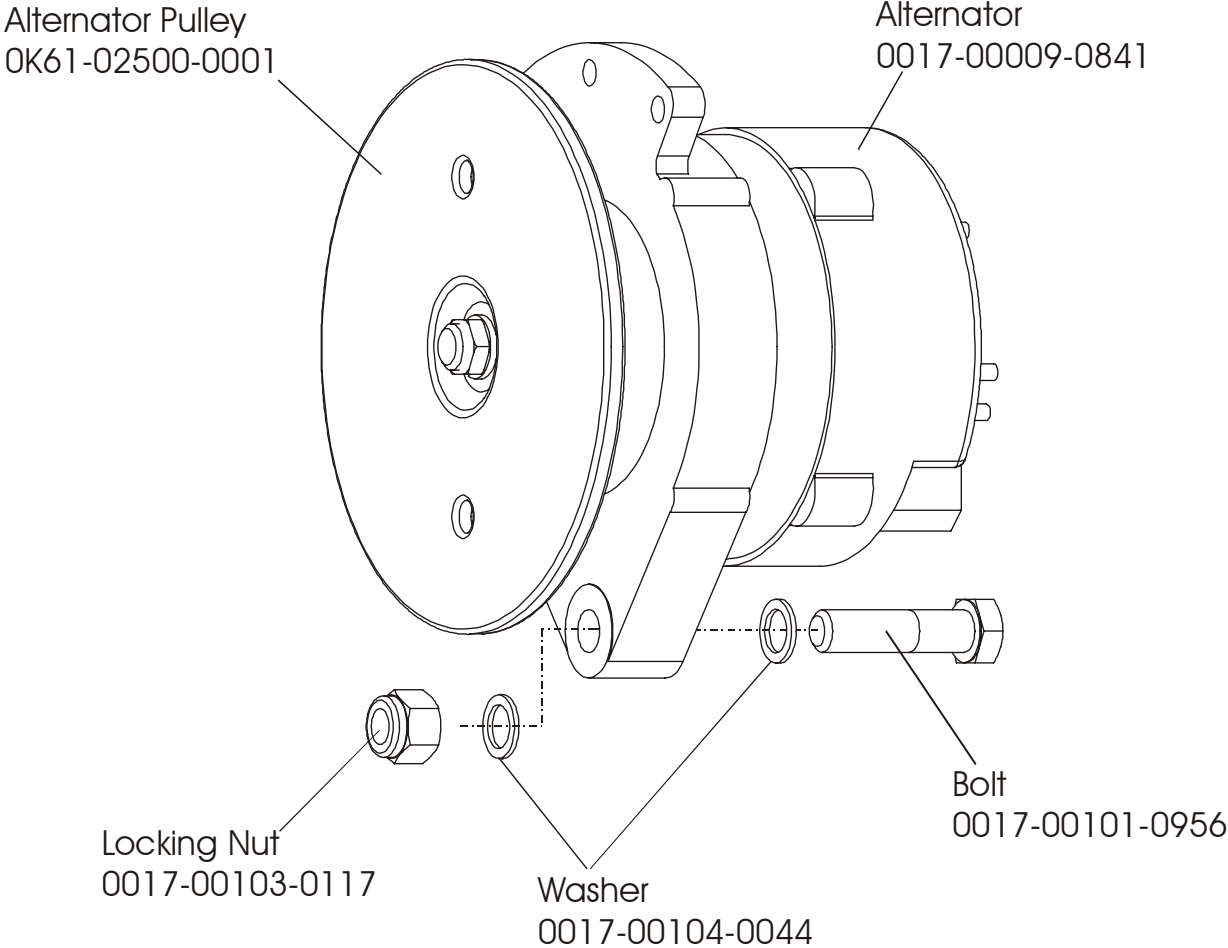
LifeCycle Recumbent Bike - Model LC85R-0100-28 S/N CEH100001

Power Control Board - AK39-00022-0002



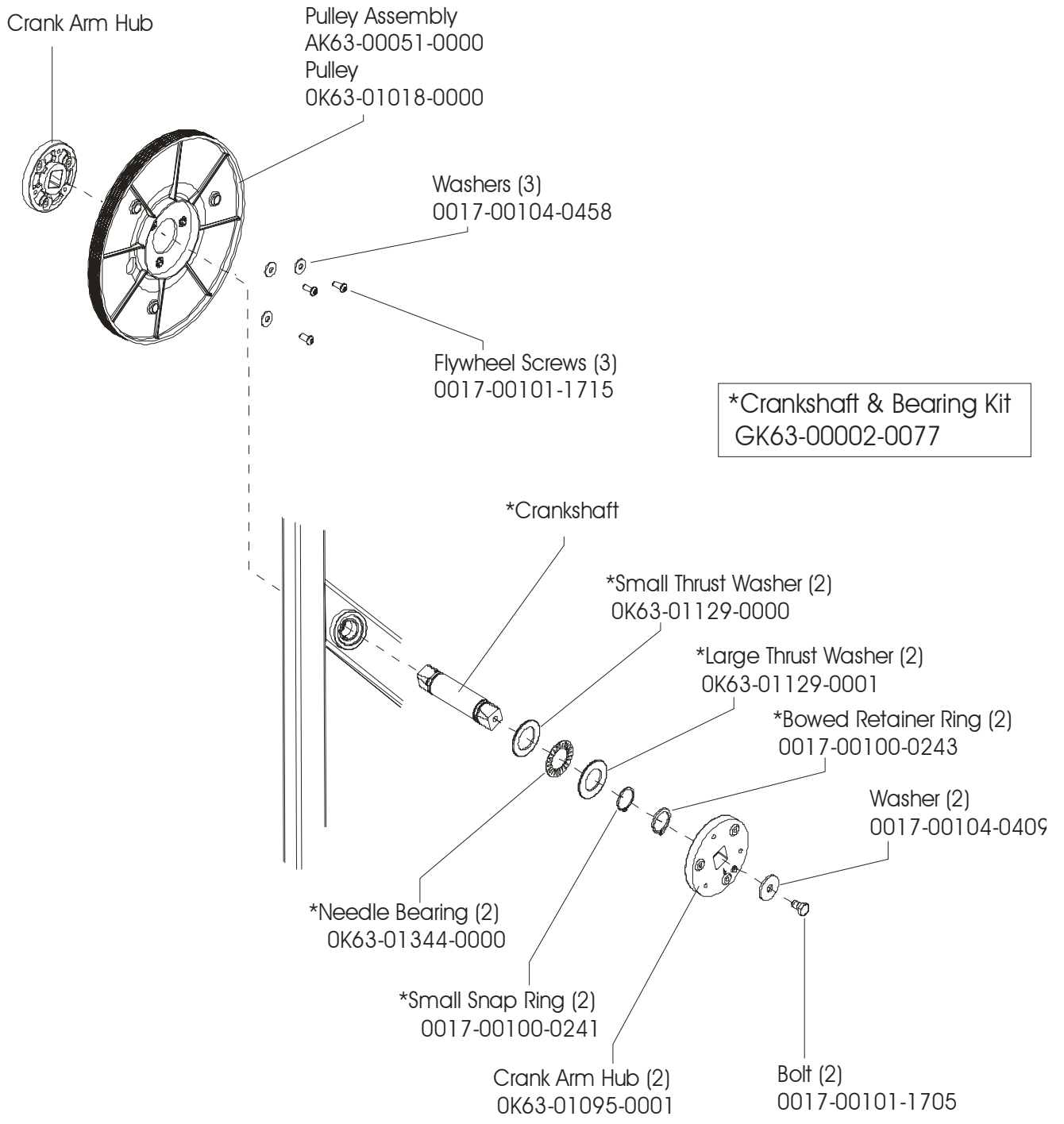
LifeCycle Recumbent Bike - Model LC85R-0100-28 S/N CEH100001

Alternator w/Pulley - AK63-00093-0000



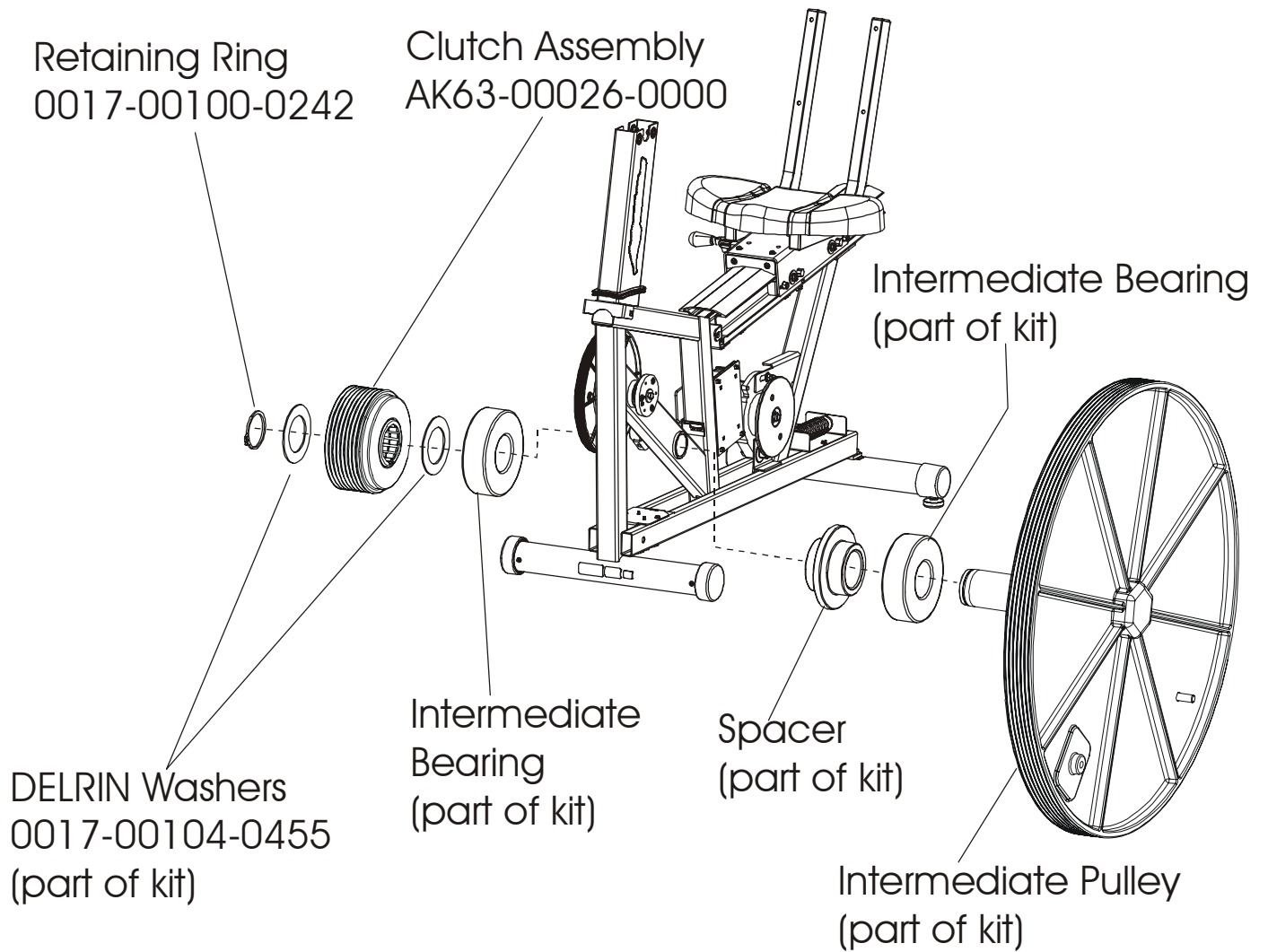
LifeCycle Recumbent Bike - Model LC85R-0100-28 S/N CEH100001

Crank Shaft and Bearing Assembly

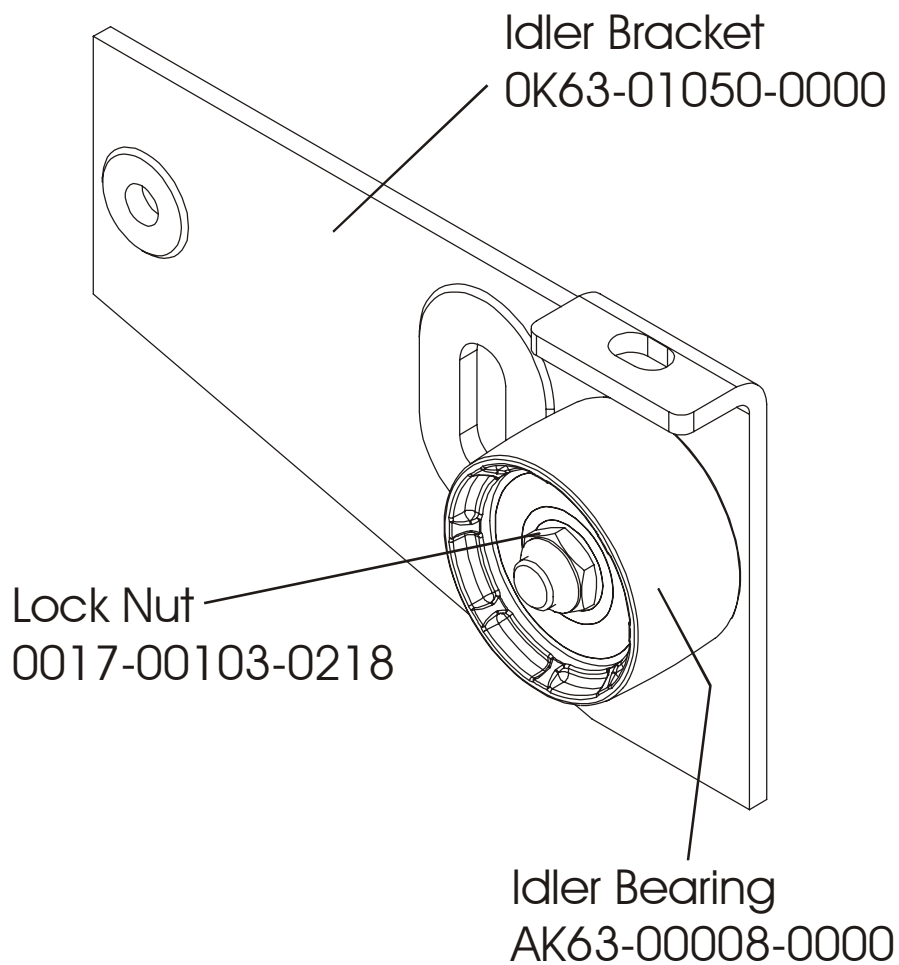


LifeCycle Recumbent Bike - Model LC85R-0100-28 S/N CEH100001

Intermediate Shaft and Bearing Assembly – GK63-00002-0007 Kit

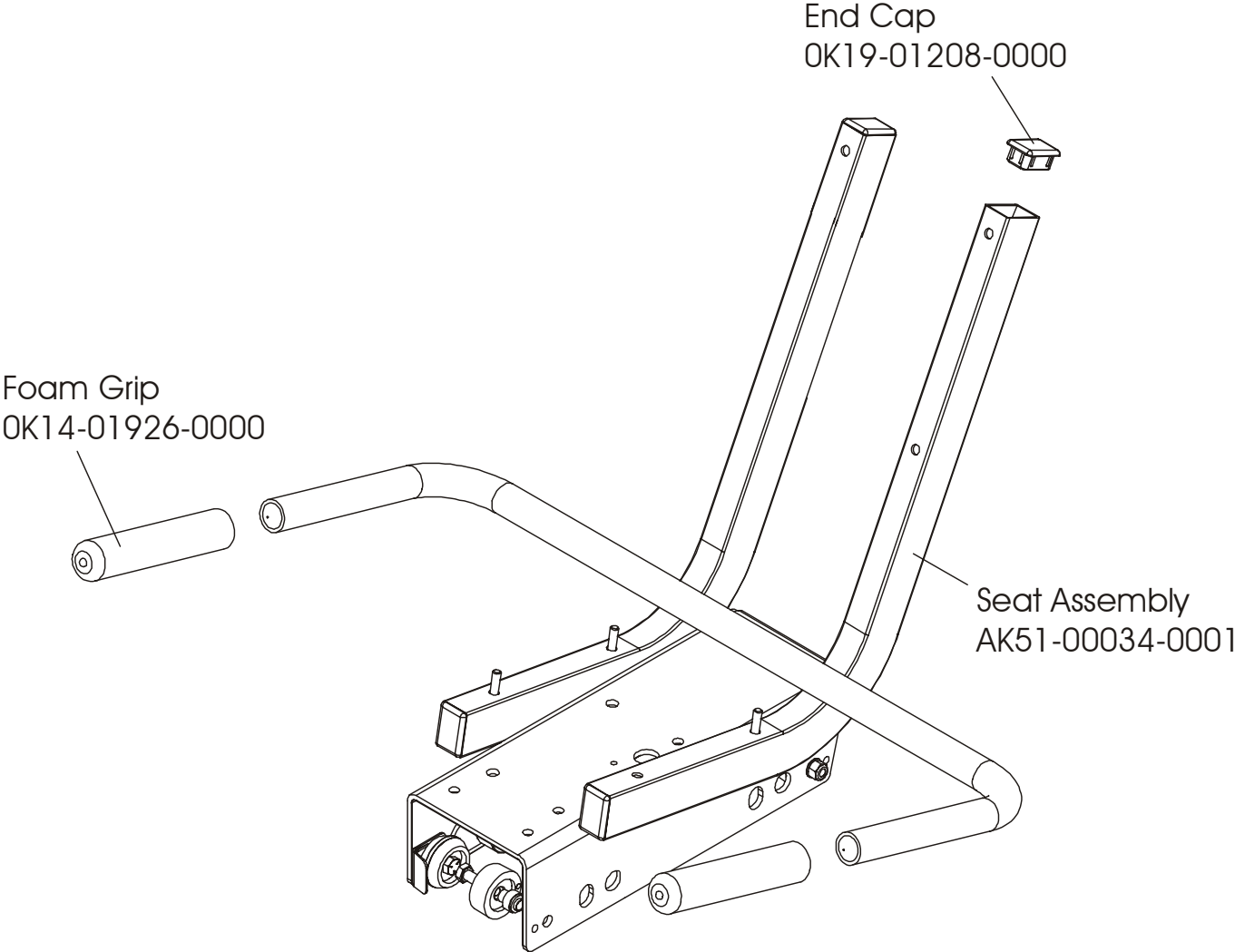


Idler Bracket Assembly – AK63-00021-0000



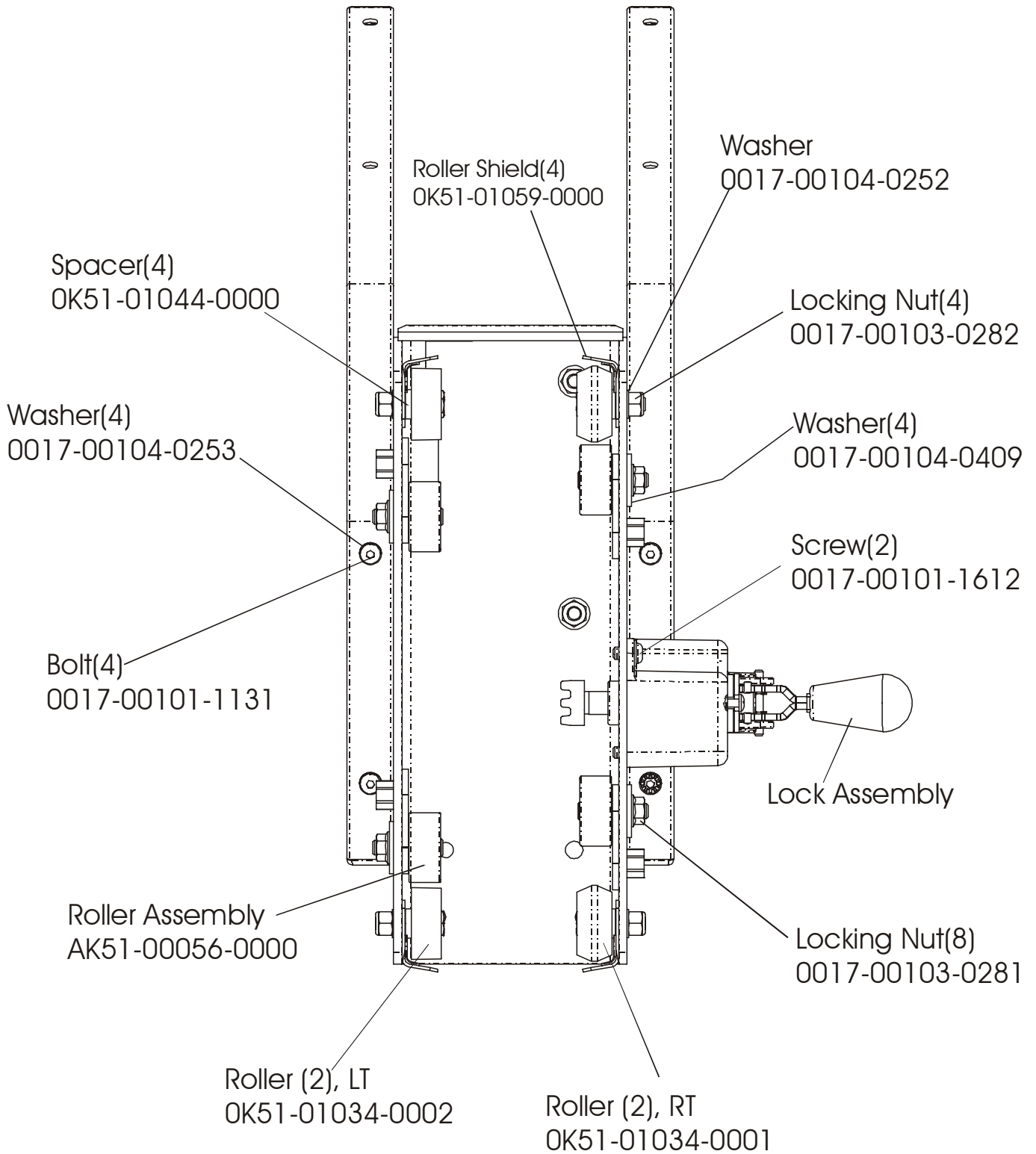
LifeCycle Recumbent Bike - Model LC85R-0100-28 S/N CEH100001

Seat Assembly

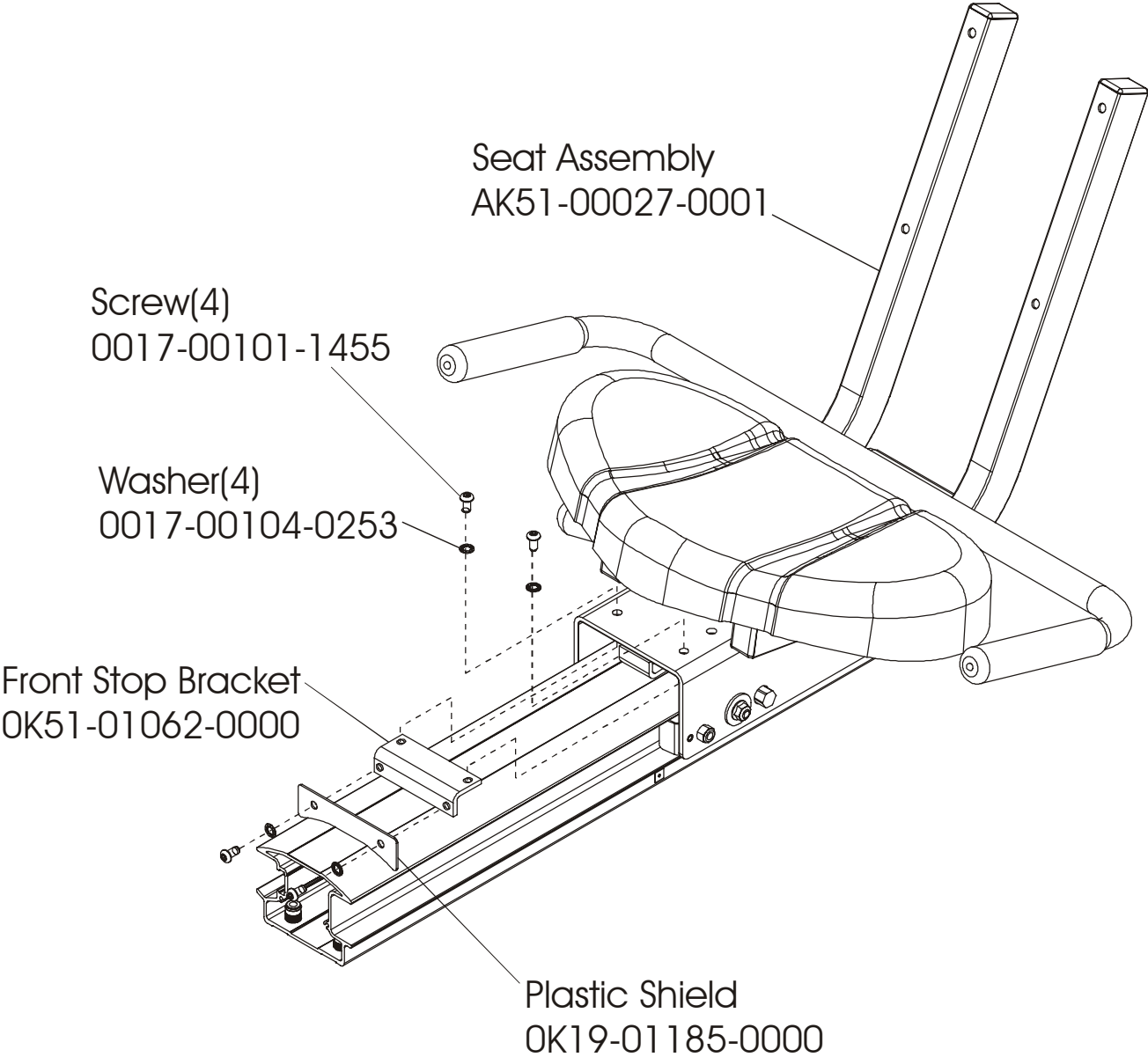


LifeCycle Recumbent Bike - Model LC85R-0100-28 S/N CEH100001

Seat Assembly - Bottom

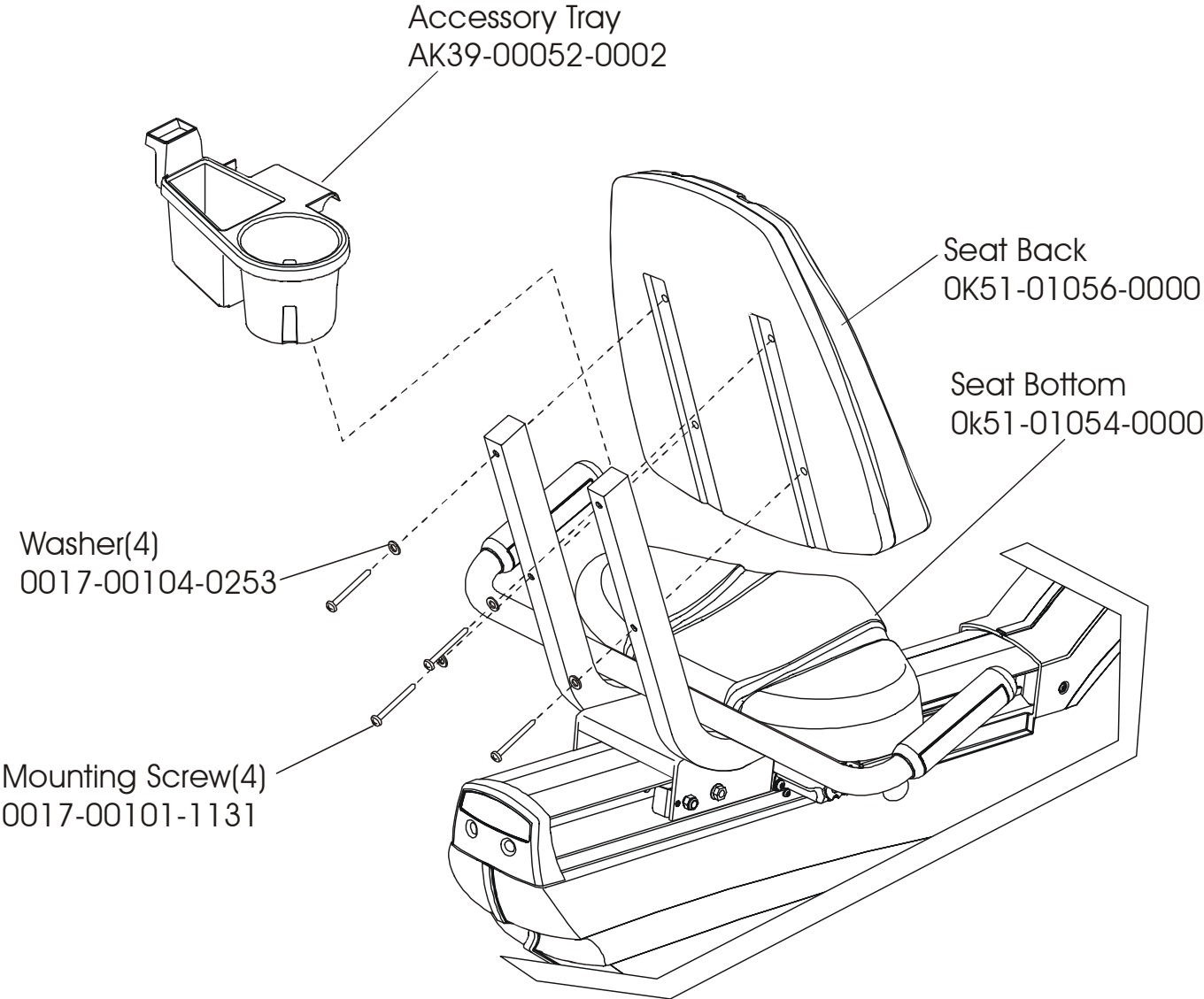


Seat Frame Assembly



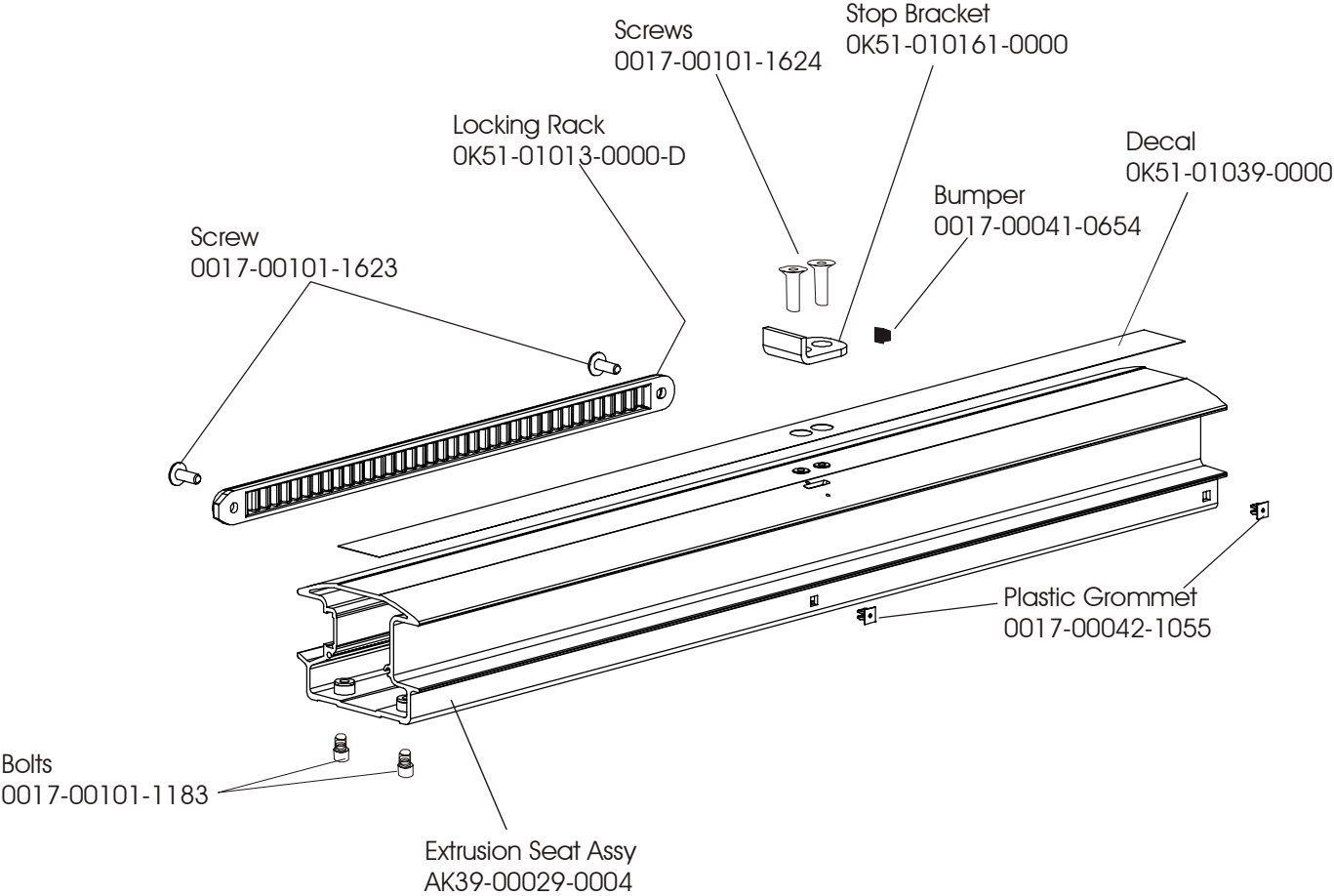
LifeCycle Recumbent Bike - Model LC85R-0100-28 S/N CEH100001

Seat Pads and Accessory Tray



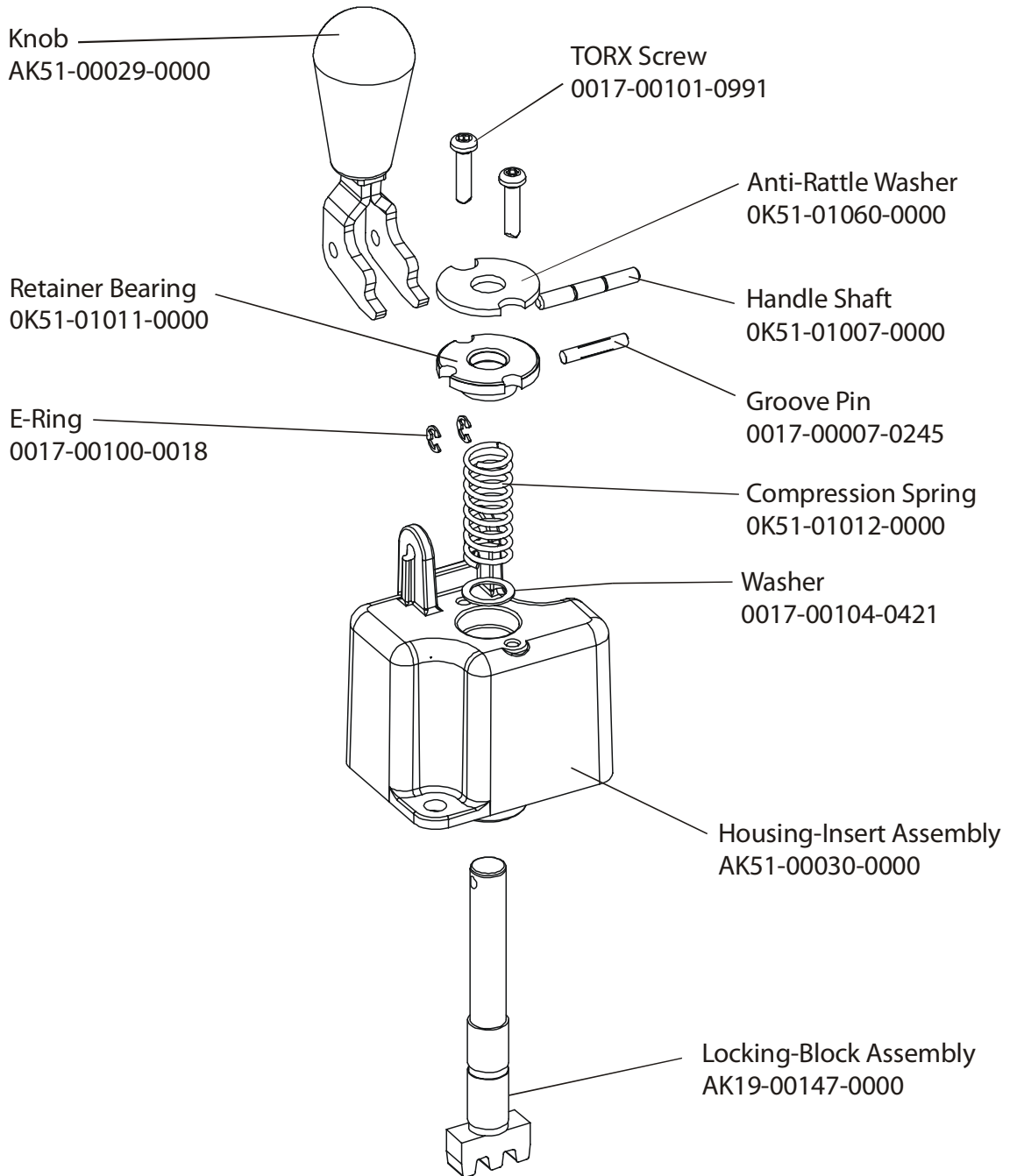
LifeCycle Recumbent Bike - Model LC85R-0100-28 S/N CEH100001

Extrusion Assembly



LifeCycle Recumbent Bike - Model LC85R-0100-28 S/N CEH100001

Lock Assembly AK51-00053-0000



LifeCycle Recumbent Bike - Model LC85R-0100-28 S/N CEH100001

Cable – Block Assembly

